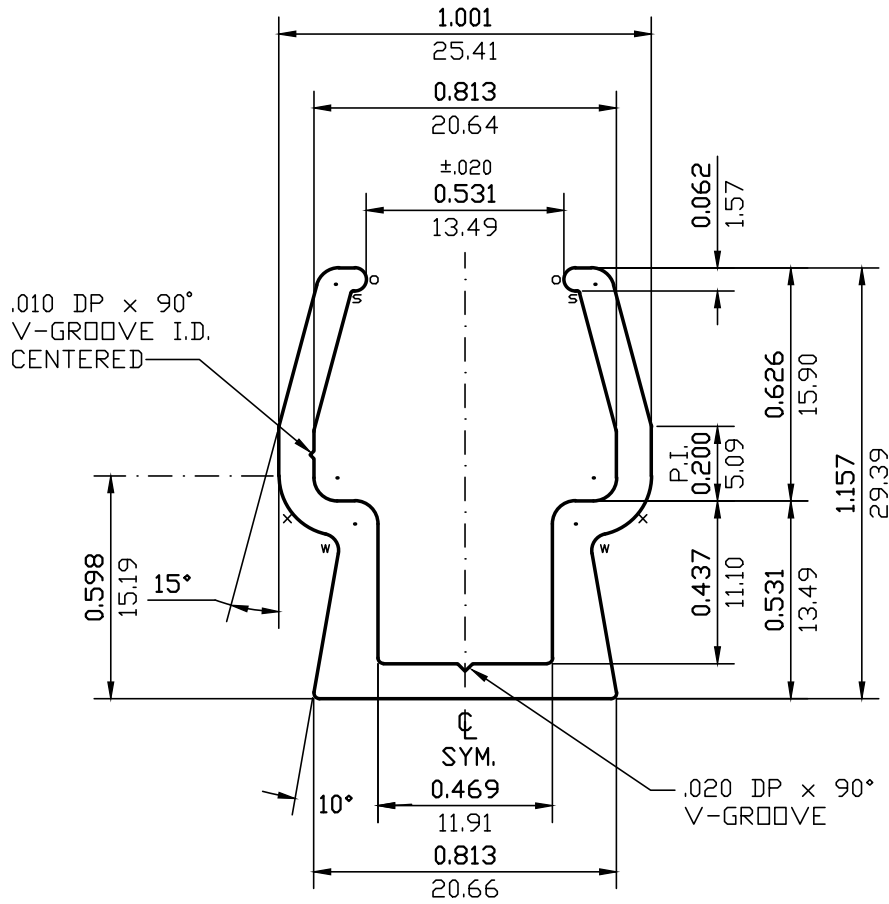
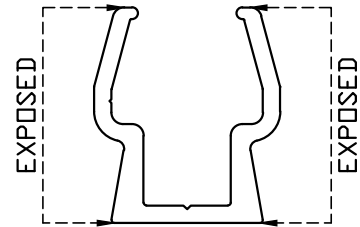


NOTE: BREAK ALL CORNERS WITH 0.015" (.38 MM) RADIUS UNLESS OTHERWISE NOTED. STANDARD TOLERANCES TO APPLY UNLESS OTHERWISE SPECIFIED.

CUSTOMER CAN ART OPEN		DIE No. ES63475	REV. No. 1
DESCRIPTION CAMLOCK BASE	CUSTOMER PART No.	QUOTE No. L12-0342-2	PROPOSAL No. S-61831



- (s) = R0.008(R0.20) (2)
- (w) = R0.045(R1.14) (2)
- (·) = R0.062(R1.57) (6)
- (x) = R0.160(R4.06) (2)
- (o) = FULL R. (2)
- UNMARKED RAD. = R0.015(R0.38)



ACTUAL SIZE

WALL THICKNESS 0.094 (2.39) EXCEPT AS SHOWN

DATE	REV	DESCRIPTION	BY	
09/18/2015	1	CHANGED TO CAN ART OPEN	J.T.	
EST.AREA	0.325	IN. ²	EST.AREA 209.790	MM. ²
EST.WT.	0.390	LBS/FT.	EST.WT. 0.581	KG/M.
EST.PER.	6.417	IN.	EST.PER. 162.987	MM.
OUT PER.		IN.	OUT PER.	MM.
C.C.D.	1.381	IN.	C.C.D. 35.081	MM.
FINISH	M/F	ALLOY	6005A-T61	
CKD BY	FACTOR 16	SCALE 2:1	DWN BY G.W.	DATE 05/10/2012

CAN ART

ALUMINUM EXTRUSION INC.

428 JUTRAS DRIVE S.
WINDSOR, ON N8N 5C5
TEL. NO. (519) 727-4399
FAX NO. (519) 727-6434
WEB: www.canart.com

THIS DRAWING IS NOT NECESSARILY A COPY OF YOUR ORIGINAL. PLEASE APPROVE DIMENSIONS AND TOLERANCES INDICATED. CAN ART ASSUMES NO RESPONSIBILITY EITHER TECHNICAL OR LEGAL FOR HAVING THIS SHAPE MADE. THE CUSTOMER AGREES TO FULLY PROTECT CAN ART ALUMINUM FROM CLAIMS OF OTHERS RESULTING FROM THIS SHAPE.

SIGNED: _____ DATE: _____